

Rangehoods and kitchen ventilation technology



Handcrafted in Germany

Contents



All Miele decor rangehoods are developed and produced in Miele's Arnsberg plant in Germany. Each one is unique with every stage of the manufacturing process involving a certain amount of manual craftsmanship, from shaping the steel to welding and polishing. The commitment of employees, their expertise, creativity and desire to excel have contributed greatly to Miele's position in the market today.



Since 1899, Miele has remained true to its corporate motto of "Immer besser" which translates as "Forever better". These two words have formed the cornerstone of Miele's assurance for quality and have helped make Miele one of the strongest brands worldwide in the domestic appliance industry. "Immer besser" is, however, far more than just a motto, it is an assurance that Miele promises to deliver quality products and, in turn, look after its customers. Above all Miele wants to ensure its customers have the peace of mind of knowing they have made the right choice in buying a Miele appliance.

Introduction

Design styles	4
Operating modes	8
Appliance widths	10
Rangehoods in motion	12
Expertise in the field of ventilation technology	14

Product advantages

Miele rangehood highlights	16
Further product advantages	18

Products

Product overviews	20
Accessories	30
Glossary	34
Installation drawings	36

The right solution for every home

Miele rangehoods

Miele offers four standard rangehood designs giving you great choice for your kitchen in terms of style and function. Miele wall mounted and island hoods are eye-catching with their prominent lines and perfect workmanship and will make an attractive focal point in any kitchen.



Island rangehoods

If you are planning on having a cooking island you will need a Miele island hood to set it off and become the crowning glory in your kitchen. Highlight your creative cooking zone with clean lines and exciting accents. With Miele you can be certain you'll find high-quality designs for the most discerning expectations.



Wall-mounted rangehoods

Turn your cooking area into an eye-catcher with a wall mounted rangehood fitted in between two wall units or on its own to make a bold statement.

Miele wall mounted rangehoods boast clean, prominent lines and perfect workmanship and make a clear statement with a minimalist design in stainless steel or a combination of stainless steel and glass. There's even a choice of a bowed or flat glass canopy: wall mounted rangehoods from Miele are a highlight in every kitchen in terms of functionality and design.

The right solution for every home

Miele rangehoods

Miele slimline rangehoods, built-under rangehoods, and built-in rangehoods are all suitable for installation underneath or in a wall unit depending on model. These models are offered in both recirculation and extraction mode.

Slimline rangehoods

A highlight for minimalists: slimline rangehoods can be fitted so that they are hidden once installed. When installed together with the optional DAR 3000 built-in frame, all that you see when they are working is the stainless steel trim beneath the wall unit. The perfect fit for a minimalistic kitchen. The powerful flat, pull-out deflector plate catches kitchen vapours effectively for complete extraction from the kitchen.



Built-under rangehoods

Individual kitchen designs – e.g. with an eye-catching chimney or sleek run of cupboards – can be fitted with built-in rangehoods. This type of rangehood offers unlimited planning and design freedom. Ideal for hand-crafted architectural features or a cupboard run in your kitchen. Let your imagination inspire you!



Integrated rangehoods

If you do not want to see the rangehood at all, a Miele integrated model is the one for you. With a furniture door to match the kitchen, it disappears discreetly into a row of wall units. Invisible when shut, this rangehood blends perfectly into the background and is the ideal rangehood for a sleek kitchen design.

The perfect micro-climate

Miele rangehood operating modes



Extraction mode: highly efficient

Extraction mode rangehoods extract cooking vapours and filter the air through a grease filter to remove any grease particles. The filtered air is then transported out of the kitchen via extraction ducting together with any excess moisture and odours. To do this extraction mode rangehoods need ducting through the outside wall or roof and a supply of fresh air, e.g. through an open window.

Extraction mode rangehoods are recommended above gas cooktops, particularly when frying and using a wok. This type of cooking generates a lot of heat, fat and steam which these rangehoods removes most efficiently. For gas cooktops, they also ensure an adequate supply of oxygen as the combustion of gas requires an ample supply of oxygen.



Recirculation mode: simple and efficient

Recirculation mode rangehoods draw the cooking vapours in and pass them through different layers of filtration to remove grease and odour particles. The cleaned air is then redirected back into the kitchen. This air circulation takes place in a closed room and there is no need for ducting systems, or for holes to be drilled in walls or ceilings.

Recirculation mode rangehoods are very easy to install and are very often the only option available because of building constraints, e.g. in a block of flats.

A recirculation mode rangehood is suitable for installation above a HiLight or induction cooktop.



During cooking, and in particular when frying, vapours are given off which consist of a mixture of steam, particles of fat and odours. If air in the room is not extracted or filtered, these vapours will remain in the room and affect the kitchen environment. Over a period of time this will affect the kitchen furniture, soft furnishings, paintwork etc. as this is where grease and vapours settle. There are two options for cleaning the air effectively: extraction mode and recirculation mode. Both methods have their advantages and disadvantages. Which one suits you best will depend on a number of factors which are explained in this brochure.

The ideal rangehood for your cooktop

Miele rangehood widths

How wide does the rangehood need to be? This depends firstly on the width of the cooktop and secondly on the size of your kitchen. Ideally, the rangehood is slightly wider than the cooktop below it. Only then can you be certain of capturing all the rising cooking vapours and benefit fully from the rangehood's power. If there is not enough space for this, then the rangehood should be at least as wide as the cooktop.



Rangehoods for small and medium sized kitchens

Available in the following widths:

- 53 cm wide
- 60 cm wide
- 70 cm wide

Rangehoods for large and open plan kitchens

Available in the following widths:

- 90 cm wide
- 100 cm wide
- 110 cm wide
- 120 cm wide





The right position for ergonomic cooking

Miele rangehoods in motion

Miele rangehoods are designed for people who like something a little out of the ordinary. Are you one of them? If so, you will be impressed by our motorised rangehoods. With these exclusive premium appliances the body of the rangehood automatically moves into the perfect position for operation... and back into its park position when switched off to save space. The very best in ergonomics, highly efficient extraction and perfect integration into the kitchen – Miele technology. It's simply stunning.





DA 6000 W CABRIO

Miele's CABRIO model is perfectly in tune with the trend for designer kitchens. This model integrates flush into the wall behind the cooktop when not in use with just the elegant horizontal silver-metallic glass panels visible. When switched on, the canopy opens automatically. At the same time, every second glass panel inclines to capture rising steam and vapours. Indirect LED lighting sets the scene when the CABRIO is not in use. Another enthralling facet with which Miele once more sets the standard.



DA 424 V-6 VARIA

Miele's height adjustable VARIA rangehood solves an age-old problem: install the rangehood too high and it will not extract vapours properly; install it too low and you will not see the cooktop properly and the kitchen will look out of proportion.

A VARIA rangehood from Miele glides up and down by up to 30 cm at the push of a button. This allows the rangehood to be set to the ergonomically right height for any user. And you can see what you are doing whilst still being able to see around the kitchen.

Expertise in the field of ventilation technology

Rangehoods from Miele

A good extraction system is very important if your rangehood is to function at its best. With new guidelines and regulations worldwide, ventilation technology is continually being developed and improved for the domestic appliance sector.

The Miele range includes rangehoods to suit all requirements, as well as all the accessories required for ensuring its optimum functionality. Reassuringly, every Miele rangehood is tested in accordance with current European standards. The air throughput and sound performance data given in this brochure are representative and comparative to other models tested to the same standards. Miele is a member of the CECED* (European Association of household appliance manufacturers). All of its members have signed up to a voluntary agreement to measure air and sound performance values in accordance with relevant European standards and to only publish these figures in their sales literature. This transparency ensures that customers receive reliable performance data.

*Conseil Européen de la Construction d'appareils Domestiques

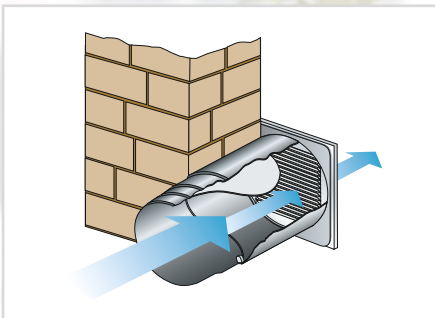




Silencer - for greater peace and quiet

Many Miele rangehoods have highly efficient sound proofing features as standard which make them very quiet when operating. However, should you wish to have an even quieter working environment, fitting a Miele DASD 150 silencer, available as an optional accessory, will reduce noise levels by up to 4.5 dB(A) re1pW.

It can be fitted in a variety of positions and is suitable for use with a range of extraction as well as recirculation mode rangehoods.

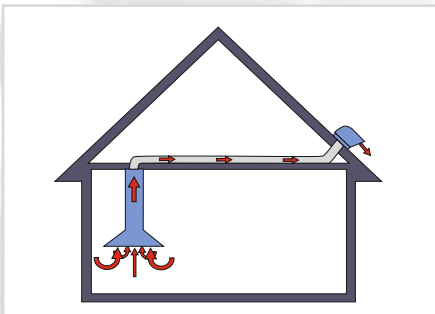


Wall vent kit

A wall vent kit can be installed in an outside wall so that the exhaust air can be ducted to the outside. Thermal bridges may occur in conventional wall vents, causing energy losses; for example, in winter cold air can enter the ventilation system.

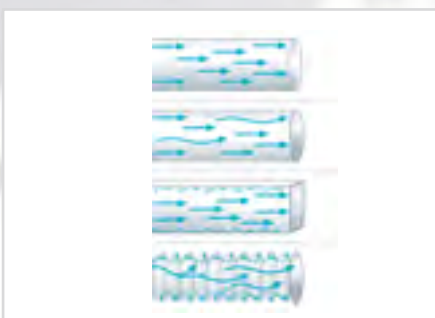
Miele wall vents feature a tight-sealing non-return baffle with a magnetic catch

preventing cold or warm air from entering the building, thus saving energy. It also keeps out foreign objects such as leaves, debris, etc. The vent's grille is designed to minimise airflow losses and guide exhaust air away from the house wall to prevent any accumulation of debris.



Roof vent

If the extracted air is to be vented into the atmosphere through the roof, a roof vent kit is required. Miele's kits are suitable for use with all roof pitches from 22° and all types of roof tiles. The high quality stainless steel housing is secured with weatherproof lead flashing.



Ventilation ducting

Extraction ducting transports odours, moisture and heat outside the house to the atmosphere. The extraction performance and noise levels of the rangehood depend greatly on the geometry and properties of the ducting system. Smooth round ducting or special flat ducting, where the diameter is not reduced, are most suitable. In general, Miele recommends a ducting diameter

of 150 mm. For rangehoods with higher extraction rates, a ducting diameter of 200 mm is also an option. Miele offers flexible aluminium ducting with shallow corrugation, which reduces air friction.

Exclusive features for clean room air

Miele rangehood highlights*

**Exclusive
to Miele**

Con@ctivity – Automatic function for Miele rangehoods

Achieving optimum extraction of kitchen vapours and odours and saving energy at the same time: a Miele rangehood equipped with the Con@ctivity function does this automatically. Miele Con@ctivity enables the rangehood to communicate with the cooktop. Information gathered from the cooktop is transmitted to the rangehood. The rangehood then uses this data to automatically select the correct fan setting to ensure the optimum room climate at all times. This leaves you free to concentrate fully on your cooking. You don't even have to worry about switching the rangehood off with Con@ctivity. With the automatic run-on control, the rangehood will switch itself off automatically after you have finished cooking so you do not use any more energy than is necessary. Manual override is also available at all times.

Select Miele rangehoods feature the Con@ctivity 2.0. These models are fitted with a wireless communication module for connection to a Miele KM 6300 series induction cooktop.





Exclusive to Miele **NoSmell active charcoal filters**

Efficient in absorbing odours: In recirculation mode odours are absorbed and neutralised completely.



Stainless steel grease filters

Convenient cleaning: the high-quality 10-layer metal grease filters are dishwasher-proof and extremely durable.



Miele's acoustic package

Efficient and very quiet: the fan is effectively insulated with special soundproofing mats.



Miele CleanCover

Protection and ease of cleaning: the smooth surface conceals and prevents contact with electrical components and the motor.



Exclusive to Miele **HighPower LED spotlights**

Environmentally friendly and extremely long lasting: with only 3 W they provide uniform downlighting and produce a warm light tone.

* Features may vary per model

Further product advantages

Miele rangehoods*



Exclusive to Miele

Halogen spotlights with hinged cover

Quick to replace: gentle pressure on the light cover releases the spring-loaded stay so that the bulb can be replaced.



Run-on function

Odour-free room air: after cooking, the fan can be set to switch off automatically after a 5 or 15 minute run-on period.



Dimmable lighting

Atmospheric lighting: depending on model, the halogen downlighting can be dimmed to suit personal preferences.



Saturation indicator for grease and active charcoal filters

Cleaning and changing filters made easy: a red light lets you know when the grease or active charcoal filter needs cleaning.



Design flexibility

Clear design, intelligent technology: you can choose between many models and features.



Perfect processing

Unique characteristics of Miele rangehoods: precise contours, precision joints and no unsightly gaps.



Handcraftsmanship – made in Germany

Know-how and craftsmanship: our entire expert knowledge is poured into each and every decor rangehood, from development to the finished product.



Safety switch-off

For added peace of mind and safety: select rangehoods will switch themselves off automatically after 10 operating hours.



Single pane safety glass

To be on the safe side: this glass, should it break, shatters into many small, blunt pieces.



Optimised, powerful fan

Powerful and quiet: high-quality radial fans with high air throughput and extraction are positioned on both sides.



Multi-zone edge extraction

Extremely efficient: the individual panels allow cooking vapours to be extracted both around the perimeter of the unit and in the centre.



Automatic 'Intensive' switch-off

Full power when required: the 'Intensive' setting is efficient at extracting strong cooking vapours and odours.

Integrated rangehoods



Model	DA 186
Construction type	
Integrated rangehood	●
Operating modes	
Vented operation/Recirculation operation	●/●
User convenience	
Light-touch switches with LED	●
Filter system	
Aluminium cased grease filter	2
Lighting	
Halogen	●
Number x W	2 x 20 W
Fan	
AC motor	●
Air throughput with max. duct diameter*	
Vented (not with external variants)	
In setting 3: Air throughput (m ³ /h)	400
Noise power level (dB(A) re 1 pW)/Noise pressure level (dB(A) re 20 µPa)	57/44
In Intensive setting: Air throughput (m ³ /h)	560
Noise power level (dB(A) re 1 pW)/Noise pressure level (dB(A) re 20 µPa)	65/52
Recirculation	
In setting 3: Air throughput (m ³ /h)	200
Noise power level (dB(A) re 1 pW)/Noise pressure level (dB(A) re 20 µPa)	66/52
In Intensive setting: Air throughput (m ³ /h)	250
Noise power level (dB(A) re 1 pW)/Noise pressure level (dB(A) re 20 µPa)	71/57
Technical data	
Width/Height/Depth of hood carcass in mm	595/450/275
Total connected load in kW/Voltage in V	0.18/230
Installation notes	
Vent connection top/rear/side	●/--
Diameter of vent connection in mm	150
Optional extras available at additional charge	
Active charcoal filter	DKF 14-1
Silencer DASD 150/Wall vent DMK 150	●/●



Built-under rangehoods



Model	DA 2050	DA 2270	DA 2210
Construction type			
Built-under rangehood	●	●	●
Operating modes			
Vented operation/Recirculation operation/External operation	●/●/-	●/●/-	●/●/-
User convenience			
Rotary selector switch/Joystick	●/-	-/●	-/●
Run-on time 5/15 mins.	-	●	●
Grease filter/Active charcoal filter saturation indicator programmable	-/-	●/●	●/●
Easy-to-clean CleanCover hood liner	●	●	●
Safety switch-off	-	●	●
Filter system			
Dishwasher-proof stainless steel grease filters (10 layers)	1	2	3
Lighting			
Halogen/LED	●/-	●/-	●/-
Number x W	2 x 50 W	2 x 50 W	4 x 50 W
Fan			
Alternating current motor (AC motor)/Direct current motor (DC motor)	●/-	●/-	●/-
Air throughput with max. duct diameter*			
Vented (not with external variants)			
In setting 3: Air throughput (m ³ /h)	-	400	1250
Noise power level (dB(A) re 1 pW)/Noise pressure level (dB(A) re 20 µPa)	-/-	53/40	64/51
In Intensive setting: Air throughput (m ³ /h)	400	640	1850
Noise power level (dB(A) re 1 pW)/Noise pressure level (dB(A) re 20 µPa)	65/52	65/52	77/64
Recirculation			
In setting 3: Air throughput (m ³ /h)	-	360	1200
Noise power level (dB(A) re 1 pW)/Noise pressure level (dB(A) re 20 µPa)	-/-	61/48	73/60
In Intensive setting: Air throughput (m ³ /h)	360	550	1550
Noise power level (dB(A) re 1 pW)/Noise pressure level (dB(A) re 20 µPa)	65/62	70/57	79/66
Technical data			
Width/Height/Depth of hood carcass in mm	532/50/372	702/50/402	1102/50/402
Total connected load in kW/Voltage in V	0.19/230	0.30/230	0.78/230
Installation notes			
Vent connection top/rear/side	●/-/-	●/-/-	●/-/-
Diameter of vent connection in mm	150	150	150
Accessories supplied			
Non-return flap	●	●	●
Optional extras available at additional charge			
Recirculation conversion kit/Active charcoal filter	DUU 151/DKF 15-1	DUU 151/DKF 15-1	DUU 151/DKF 15-1
Control module DSM 400/DSM 406	-/-	●/-	●/-
Silencer DASD 150/Wall vent DMK 150	●/●	●/●	●/●



Slimline rangehoods



Model	DA 3360	DA 3460	DA 3490
Construction type			
Slimline rangehood	●	●	●
Operating modes			
Vented operation/Recirculation operation	●/●	●/●	●/●
User convenience			
Slide switch/Light-touch switches with LED	●/–	–/●	–/●
Run-on time 5/15 mins.	–	–	–
Grease filter/Active charcoal filter saturation indicator programmable	–/–	–/–	–/–
Easy-to-clean CleanCover hood liner	●	●	●
Motor-operated	–	–	–
Safety switch-off	–	●	●
Networking of domestic appliances			
Automatic function Con@ctivity/Con@ctivity 2.0	–/–	–/–	–/–
Filter system			
Dishwasher-proof stainless steel grease filters (10 layers)	1	1	2
Lighting			
Halogen/LED	●/–	●/–	●/–
Number x W	2 x 50 W	2 x 50 W	2 x 50 W
Indirect lighting/Colour-changing glass-edge lighting	–/–	–/–	–/–
Fan			
Alternating current motor (AC motor)/Direct current motor (DC motor)	●/–	●/–	●/–
Air throughput with max. duct diameter*			
Vented (not with external variants)			
In setting 3: Air throughput (m ³ /h)	320	570	570
Noise power level (dB(A) re 1 pW)/Noise pressure level (dB(A) re 20 µPa)	51/38	62/48	62/48
In Intensive setting: Air throughput (m ³ /h)	430	720	720
Noise power level (dB(A) re 1 pW)/Noise pressure level (dB(A) re 20 µPa)	58/45	69/55	69/55
Recirculation			
In setting 3: Air throughput (m ³ /h)	200	420	420
Noise power level (dB(A) re 1 pW)/Noise pressure level (dB(A) re 20 µPa)	61/49	68/68	68/68
In Intensive setting: Air throughput (m ³ /h)	300	500	500
Noise power level (dB(A) re 1 pW)/Noise pressure level (dB(A) re 20 µPa)	67/55	71/55	71/55
Technical data			
Width/Height/Depth of hood carcass in mm	595/34/275	595/34/275	895/34/275
Total connected load in kW/Voltage in V	0.21/230	0.40/230	0.40/230
Installation notes			
Vent connection top/rear/side	●/–/–	●/–/–	●/–/–
Diameter of vent connection in mm	150	150	150
Accessories supplied			
Remote control/Wireless stick Con@ctivity 2.0 for KM	–/–	–/–	–/–
Non-return flap	●	●	●
Optional extras available at additional charge			
Recirculation conversion kit	DUU 151	DUU 151	DUU 151
Active charcoal filter	DKF 13-1	DKF 13-1	DKF 13-1
Communication module for Con@ctivity XKM 2000 DA	–	–	–
Control module DSM 400/DSM 406	–/–	●/–	●/–
Silencer DASD 150/Wall vent DMK 150	●/●	●/●	●/●
Fitting kit for original furniture strip DML 400	●	●	●
Drop-down frame for slimline cooker hoods DAR 3000	●	●	●



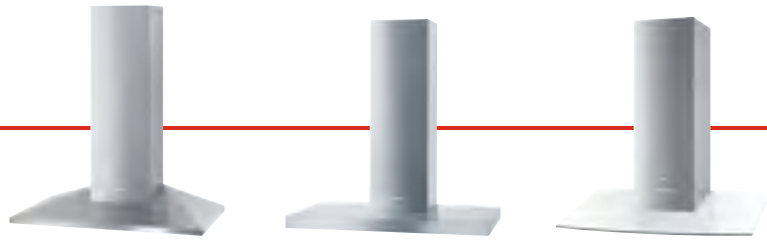
Chimneyless décor rangehood



Model	DA 1160
Construction type	Chimneyless décor rangehood ●
Operating modes	Vented operation/Recirculation operation ●/●
User convenience	Slide switch/Rotary selector switch ●/–
	Easy-to-clean CleanCover hood liner ●
Filter system	Dishwasher-proof stainless steel grease filters (10 layers) 2
Lighting	Halogen ●
	Number x W 2 x 50 W
Fan	AC motor ●
Air throughput with max. duct diameter*	
Vented (not with external variants)	
	In setting 3: Air throughput (m ³ /h) 350
	Noise power level (dB(A) re 1 pW)/Noise pressure level (dB(A) re 20 µPa) 64/49
	In Intensive setting: Air throughput (m ³ /h) 500
	Noise power level (dB(A) re 1 pW)/Noise pressure level (dB(A) re 20 µPa) 73/58
Recirculation	
	In setting 3: Air throughput (m ³ /h) 150
	Noise power level (dB(A) re 1 pW)/Noise pressure level (dB(A) re 20 µPa) 70/56
	In Intensive setting: Air throughput (m ³ /h) 200
	Noise power level (dB(A) re 1 pW)/Noise pressure level (dB(A) re 20 µPa) 75/61
Technical data	
	Width/Height/Depth of hood carcass in mm 598/125/500
	Total connected load in kW/Voltage in V 0.34/230
Installation notes	
	Vent connection top/rear/side ●/–/–
	Diameter of vent connection in mm 150
Accessories supplied	Non-return flap ●
Optional extras available at additional charge	
	Active charcoal filter DKF 18-1
	Wall vent for 150 mm Ø DMK 150 ●



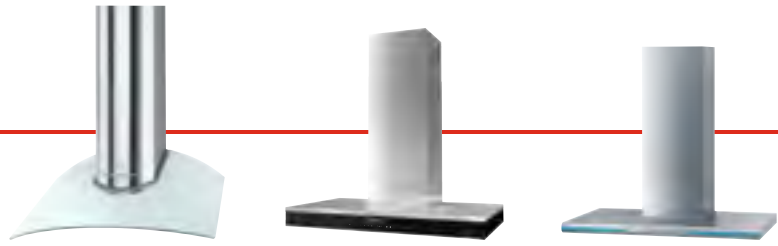
Wall-mounted décor rangehoods



Model	DA 399-6 CLASSIC	DA 419-6 PURISTIC	DA 5996 W SCREEN
Construction type			
Wall/Island decor rangehood/Ceiling fan	●/–/–	●/–/–	●/–/–
Operating modes			
Vented operation/Recirculation operation	●/●	●/●	●/●
User convenience			
Light-touch switches with LED/On-glass touch controls	●/–	●/–	●/–
Grease filter/Active charcoal filter saturation indicator programmable	–/–	–/–	–/–
Easy-to-clean CleanCover hood liner	●	●	●
Acoustic package/Safety switch off/Run-on time 5 or 15 mins.	–/●/–	–/●/–	–/●/–
Dishwasher-proof stainless steel grease filters	3	3	1
Motor-operated	–	–	–
Networking of domestic appliances			
Automatic function Con@ctivity/Con@ctivity 2.0	–/–	–/–	–/–
Lighting			
Halogen/LED	●/–	●/–	●/–
Number x W	2 x 50 W	3 x 20 W	1 x 50 W
Indirect lighting/Colour-changing glass-edge lighting	–/–	–/–	–/–
Fan			
Alternating current motor (AC motor)/Direct current motor (DC motor)	●/–	●/–	●/–
Air throughput with max. duct diameter*			
Vented (not with external variants)			
In setting 3: Air throughput (m ³ /h)	350	350	360
Noise power level (dB(A) re 1 pW)/Noise pressure level (dB(A) re 20 µPa)	53/40	53/40	60/45
In Intensive setting: Air throughput (m ³ /h)	500	500	530
Noise power level (dB(A) re 1 pW)/Noise pressure level (dB(A) re 20 µPa)	61/48	61/48	69/54
Recirculation			
In setting 3: Air throughput (m ³ /h)	250	250	270
Noise power level (dB(A) re 1 pW)/Noise pressure level (dB(A) re 20 µPa)	61/48	61/48	68/53
In Intensive setting: Air throughput (m ³ /h)	350	350	350
Noise power level (dB(A) re 1 pW)/Noise pressure level (dB(A) re 20 µPa)	67/54	67/54	73/58
Technical data			
Total hood height vented and external in mm/Recirculation in mm	695 – 1015/825 – 1145	685 – 1005/815 – 1135	840 – 1020/840 – 1160
Width/Height/Depth of hood carcass in mm	898/120/520	898/62/500	895/134/520
Total connected load in kW/Voltage in V	0.22/230	0.18/230	0.25/230
Installation notes			
Vent connection top/rear/side	●/●/–	●/●/–	●/●/–
Diameter of vent connection in mm	150	150	150
Telescopic chimney/Telescopic wall bracket	●/–	●/–	●/–
Accessories supplied			
Remote control/Wireless stick Con@ctivity 2.0 for KM	–/–	–/–	–/–
Non-return flap/Deflector for recirculation/Active charcoal filter	●/–/–	●/–/–	●/–/–
Optional extras available at additional charge			
Recirculation conversion kit/Active charcoal filter	DUW 20/DKF 12-1	DUW 20/DKF 12-1	DUW 20/DKF 11-1
Communication module for Con@ctivity XKM 2000 DA	–	–	–
Silencer DASD 150/Wall vent DMK 150	●/●	●/●	●/●
Control module DSM 400/DSM 406	●/–	●/–	●/–



Wall-mounted décor rangehoods

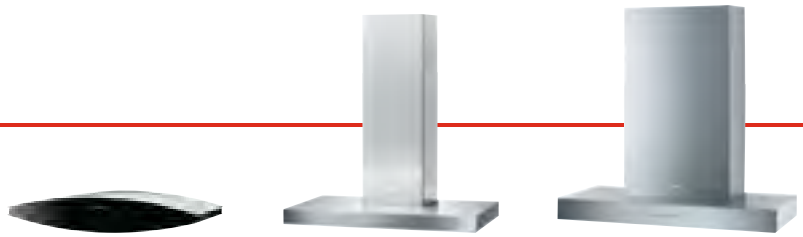


Model	DA 249-4	DA 6690 W*	DA 6296 W LUMEN
Construction type			
Wall/Island decor rangehood/Ceiling fan	●/–/–	●/–/–	●/–/–
Operating modes			
Vented operation/Recirculation operation/External operation	●/●/–	●/●/–	●/●/–
User convenience			
Light-touch switches with LED/On-glass touch controls	●/–	–/●	●/–
Grease filter/Active charcoal filter saturation indicator programmable	●/●	●/●	●/–
Easy-to-clean CleanCover hood liner	●	●	●
Acoustic package/Safety switch off/Run-on time 5 or 15 mins.	–/●/●	●/●/●	●/●/–
Dishwasher-proof stainless steel grease filters	1	3	3
Motor-operated	–	–	–
Networking of domestic appliances			
Automatic function Con@ctivity/Con@ctivity 2.0	Equipped/–	–/Fitted	–/Fitted
Lighting			
Halogen/LED	●/–	–/●	●/–
Number x W	2 x 20 W	3 x 3 W	3 x 3 W/1 x 10 W
Indirect lighting/Colour-changing glass-edge lighting	–/–	–/–	–/●
Fan			
Alternating current motor (AC motor)/Direct current motor (DC motor)	●/–	–/●	●/–
Air throughput with max. duct diameter*			
Vented (not with external variants)			
In setting 3: Air throughput (m³/h)	400	400	400
Noise power level (dB(A) re 1 pW)/Noise pressure level (dB(A) re 20 µPa)	55/42	51/36	53/40
In Intensive setting: Air throughput (m³/h)	640	640	640
Noise power level (dB(A) re 1 pW)/Noise pressure level (dB(A) re 20 µPa)	66/53	63/49	65/52
Recirculation			
In setting 3: Air throughput (m³/h)	330	300	330
Noise power level (dB(A) re 1 pW)/Noise pressure level (dB(A) re 20 µPa)	65/52	61/46	64/49
In Intensive setting: Air throughput (m³/h)	490	490	490
Noise power level (dB(A) re 1 pW)/Noise pressure level (dB(A) re 20 µPa)	72/59	71/56	71/56
Technical data			
Total hood height vented and external in mm/Recirculation in mm	822 – 1072/942 – 1169	710 – 1030/840 – 1160	680 – 1000/810 – 1130
Width/Height/Depth of hood carcass in mm	900/309/500	898/85/500	898/52/520
Total connected load in kW/Voltage in V	0.24/230	0.10/230	0.22/220
Installation notes			
Vent connection top/rear/side	●/●/–	●/●/–	●/●/–
Diameter of vent connection in mm	150	150	150
Telescopic chimney/Telescopic wall bracket	●/–	●/●	●/●
Accessories supplied			
Remote control/Wireless stick Con@ctivity 2.0 for KM	–/–	–/●	–/●
Non-return flap/Deflector for recirculation/Active charcoal filter	●/–/–	●/–/–	●/–/–
Optional extras available at additional charge			
Recirculation conversion kit/Active charcoal filter	DUW 10/DKF 9-1	DUW 20/DKF 12-1	DUW 20/DKF 11-1
Communication module for Con@ctivity XKM 2000 DA	●	–	–
Silencer DASD 150/Wall vent DMK 150	●/●	●/●	●/●
Control module DSM 400/DSM 406	●/–	–/●	●/–

* Available in CleanSteel, obsidian black, brilliant white and mink



Wall-mounted décor rangehoods



Model	DA 7090 W	DA 6596 W CANTO	DA 5320 W CANTO XL
Construction type			
Wall/Island decor rangehood/Ceiling fan	●/–/–	●/–/–	●/–/–
Operating modes			
Vented operation/Recirculation operation	–/●	●/●	●/–
User convenience			
Light-touch switches with LED/On-glass touch controls	–/●	●/–	●/–
Grease filter/Active charcoal filter saturation indicator programmable	●/●	●/●	●/–
Easy-to-clean CleanCover hood liner	●	●	●
Acoustic package/Safety switch off/Run-on time 5 or 15 mins.	–/●/●	●/●/●	●/●/●
Dishwasher-proof stainless steel grease filters	2	3	4
Motor-operated	–	–	–
Networking of domestic appliances			
Automatic function Con@ctivity/Con@ctivity 2.0	Equipped/–	–/Fitted	Equipped/–
Lighting			
Halogen/LED	●/–	–/●	●/–
Number x W	2 x 20 W	3 x 3 W	5 x 20 W
Indirect lighting/Colour-changing glass-edge lighting	–/–	–/–	–/–
Fan			
Alternating current motor (AC motor)/Direct current motor (DC motor)	●/–	●/–	●/–
Air throughput with max. duct diameter*			
Vented (not with external variants)			
In setting 3: Air throughput (m³/h)	–	390	850
Noise power level (dB(A) re 1 pW)/Noise pressure level (dB(A) re 20 µPa)	–/–	53/40	61/48
In Intensive setting: Air throughput (m³/h)	–	620	1300
Noise power level (dB(A) re 1 pW)/Noise pressure level (dB(A) re 20 µPa)	–/–	65/52	71/58
Recirculation			
In setting 3: Air throughput (m³/h)	360	320	–
Noise power level (dB(A) re 1 pW)/Noise pressure level (dB(A) re 20 µPa)	69/55	64/49	–/–
In Intensive setting: Air throughput (m³/h)	550	470	–
Noise power level (dB(A) re 1 pW)/Noise pressure level (dB(A) re 20 µPa)	78/64	71/56	–/–
Technical data			
Total hood height vented and external in mm/Recirculation in mm	–/–	693 – 1010/820 – 1143	740 – 1170/–
Width/Height/Depth of hood carcass in mm	898/160/520	898/70/500	1200/120/520
Total connected load in kW/Voltage in V/Fuse rating in A	0.20/230/10	0.21/230/10	0.60/230/10
Installation notes			
Vent connection top/rear/side	–/–/–	●/●/–	●/●/–
Diameter of vent connection in mm	–	150	200
Telescopic chimney/Telescopic wall bracket	–/–	●/●	●/●
Accessories supplied			
Remote control/Wireless stick Con@ctivity 2.0 for KM	–/–	–/●	–/–
Non-return flap/Deflector for recirculation/Active charcoal filter	–/–/●	●/–/–	●/–/–
Optional extras available at additional charge			
Recirculation conversion kit/Active charcoal filter	–/DKF 16-1	DUW 20/DKF 12-1	–/–
Remote control DARC 6	–	●	–
Communication module for Con@ctivity XKM 2000 DA	●	–	–
Silencer DASD 150/Wall vent DMK 150	–/–	●/●	–/–
Control module DSM 400/DSM 406	–/–	–/●	–/–
Stainless steel edge extraction panels	–	●	●



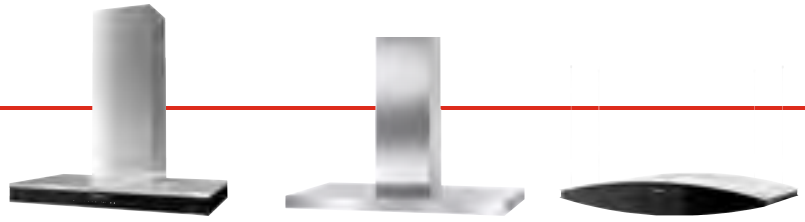
Wall-mounted décor rangehoods



Model	DA 6000
Construction type	
Wall/Island decor cooker hood/Ceiling fan	●/–/–
Operating modes	
Vented operation/Recirculation operation	●/–
User convenience	
Light-touch switches with LED/On-glass touch controls	–/●
Grease filter/Active charcoal filter saturation indicator programmable	●/–
Easy-to-clean CleanCover hood liner	●
Acoustic package/Safety switch off/Run-on time 5 or 15 mins.	–/●/●
Dishwasher-proof stainless steel grease filters (10 layers)	2
Motor-operated	●
Networking of domestic appliances	
Automatic function Con@ctivity/Con@ctivity 2.0	Equipped/–
Lighting	
Halogen/LED	●/–
Number x W	4 x 20 W
Indirect lighting/Colour-changing glass-edge lighting	●/–
Fan	
Alternating current motor (AC motor)/Direct current motor (DC motor)	●/–
Air throughput with max. duct diameter*	
Vented (not with external variants)	
In setting 3: Air throughput (m ³ /h)	650
Noise power level (dB(A) re 1 pW)/Noise pressure level (dB(A) re 20 µPa)	65/50
In Intensive setting: Air throughput (m ³ /h)	850
Noise power level (dB(A) re 1 pW)/Noise pressure level (dB(A) re 20 µPa)	72/56
Recirculation	
In setting 3: Air throughput (m ³ /h)	–
Noise power level (dB(A) re 1 pW)/Noise pressure level (dB(A) re 20 µPa)	–/–
In Intensive setting: Air throughput (m ³ /h)	–
Noise power level (dB(A) re 1 pW)/Noise pressure level (dB(A) re 20 µPa)	–/–
Technical data	
Total hood height vented and external in mm/Recirculation in mm	–/–
Width/Height/Depth of hood carcass in mm	904/588/410
Total connected load in kW/Voltage in V	0.50/230
Installation notes	
Vent connection top/rear/side	●/●/–
Diameter of vent connection in mm	150
Telescopic chimney/Telescopic wall bracket	–/–
Accessories supplied	
Remote control/Wireless stick Con@ctivity 2.0 for KM	–/–
Non-return flap/Deflector for recirculation/Active charcoal filter	●/–/–
Optional extras available at additional charge	
Recirculation conversion kit/Active charcoal filter	–/–
Communication module for Con@ctivity XKM 2000 DA	●
Silencer DASD 150/Wall vent DMK 150	●/●
Control module DSM 400/DSM 406	●/–



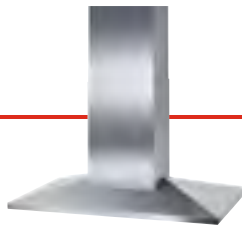
Island rangehoods



Model	DA 6690 D*	DA 424 V-6 VARIA	DA 7000 D
Construction type			
Wall/Island decor rangehood/Ceiling fan	-/●/-	-/●/-	-/●/-
Operating modes			
Vented operation/Recirculation operation	●/●	●/-	-/●
User convenience			
Light-touch switches with LED/On-glass touch controls	-/●	●/-	-/●
Grease filter/Active charcoal filter saturation indicator programmable	●/●	●/-	●/●
Easy-to-clean CleanCover hood liner	●	●	●
Acoustic package/Safety switch off/Run-on time 5 or 15 mins.	●/●/●	●/●/●	-/●/●
Dishwasher-proof stainless steel grease filters	3	6	4
Motor-operated	-	●	-
Networking of domestic appliances			
Automatic function Con@ctivity/Con@ctivity 2.0	-/Fitted	-/Fitted	Equipped/-
Lighting			
Halogen/LED	-/●	-/●	●/-
Number x W	3 x 3 W	4 x 3 W	3 x 20 W
Indirect lighting/Colour-changing glass-edge lighting	-/-	-/-	-/-
Fan			
Alternating current motor (AC motor)/Direct current motor (DC motor)	-/●	-/●	●/-
Air throughput with max. duct diameter*			
Vented (not with external variants)			
In setting 3: Air throughput (m³/h)	400	500	-
Noise power level (dB(A) re 1 pW)/Noise pressure level (dB(A) re 20 µPa)	51/36	58/41	-/-
In Intensive setting: Air throughput (m³/h)	640	750	-
Noise power level (dB(A) re 1 pW)/Noise pressure level (dB(A) re 20 µPa)	63/49	68/51	-/-
Recirculation			
In setting 3: Air throughput (m³/h)	300	-	500
Noise power level (dB(A) re 1 pW)/Noise pressure level (dB(A) re 20 µPa)	61/46	-/-	67/53
In Intensive setting: Air throughput (m³/h)	490	-	600
Noise power level (dB(A) re 1 pW)/Noise pressure level (dB(A) re 20 µPa)	71/56	-/-	70/56
Technical data			
Total hood height vented and external in mm/Recirculation in mm	710 – 1030/840 – 1160	755 – 1045/-	-/500 – 1500
Width/Height/Depth of hood carcass in mm	898/85/500	1198/70/698	1000/160/700
Total connected load in kW/Voltage in V	0.10/230	0.32/230	0.18/230
Installation notes			
Vent connection top/rear/side	●/●/-	●/-/-	-/-/-
Diameter of vent connection in mm	150	150	-
Telescopic chimney/Telescopic wall bracket	●/●	●/-	-/-
Accessories supplied			
Remote control/Wireless stick Con@ctivity 2.0 for KM	-/●	-/●	-/-
Non-return flap/Deflector for recirculation/Active charcoal filter	●/-/-	●/-/-	-/-/●
Optional extras available at additional charge			
Recirculation conversion kit/Active charcoal filter	DUW 20/DKF 12-1	-/-	-/DKF 17-1
Communication module for Con@ctivity XKM 2000 DA	-	-	●
Silencer DASD 150/Wall vent DMK 150	●/●	●/●	-/-
Control module DSM 400/DSM 406	-/●	-/●	-/-



Island rangehoods



Model	DA 390-6 CLASSIC
Construction type	
Wall/Island decor rangehood/Ceiling fan	-/●/-
Operating modes	
Vented operation/Recirculation operation	●/●
User convenience	
Light-touch switches with LED/On-glass touch controls	●/-
Grease filter/Active charcoal filter saturation indicator programmable	-/-
Easy-to-clean CleanCover hood liner	●
Acoustic package/Safety switch off/Run-on time 5 or 15 mins.	-/●/-
Dishwasher-proof stainless steel grease filters	4
Motor-operated	-
Networking of domestic appliances	
Automatic function Con@ctivity/Con@ctivity 2.0	-/-
Lighting	
Halogen/LED	●/-
Number x W	4 x 20 W
Indirect lighting/Colour-changing glass-edge lighting	-/-
Fan	
Alternating current motor (AC motor)/Direct current motor (DC motor)	●/-
Air throughput with max. duct diameter*	
Vented (not with external variants)	
In setting 3: Air throughput (m ³ /h)	350
Noise power level (dB(A) re 1 pW)/Noise pressure level (dB(A) re 20 μPa)	53/40
In Intensive setting: Air throughput (m ³ /h)	500
Noise power level (dB(A) re 1 pW)/Noise pressure level (dB(A) re 20 μPa)	61/48
Recirculation	
In setting 3: Air throughput (m ³ /h)	250
Noise power level (dB(A) re 1 pW)/Noise pressure level (dB(A) re 20 μPa)	61/48
In Intensive setting: Air throughput (m ³ /h)	350
Noise power level (dB(A) re 1 pW)/Noise pressure level (dB(A) re 20 μPa)	67/54
Technical data	
Total hood height vented and external in mm/Recirculation in mm	690 – 970/730 – 1040
Width/Height/Depth of hood carcass in mm	998/121/700
Total connected load in kW/Voltage in V	0.20/230
Installation notes	
Vent connection top/rear/side	●/-/-
Diameter of vent connection in mm	150
Telescopic chimney/Telescopic wall bracket	●/-
Accessories supplied	
Remote control/Wireless stick Con@ctivity 2.0 for KM	-/-
Non-return flap/Deflector for recirculation/Active charcoal filter	●/-/-
Optional extras available at additional charge	
Recirculation conversion kit/Active charcoal filter	DUI 32/DKF 12-1
Communication module for Con@ctivity XKM 2000 DA	-
Silencer DASD 150/Wall vent DMK 150	●/●
Control module DSM 400/DSM 406	●/-



Rangehood & ventilation accessories



As a true rangehood and kitchen ventilation specialist, Miele offers an extensive range of accessories that are custom-designed to work with the rangehoods, for optimum performance in terms of air throughput or sound-proofing, for example.

Rather than relying on third party suppliers which may not always be easy to come by, Miele can supply you with the following parts and accessories, either via its Central Spare Parts department or on-line via the Miele-Shop.





DAS Flexible aluminium ducting

1.25 m long, extends to 5 m, recommended for all rangehoods, in preference of highly flexible concertina type ducting.

DAS 125 for 125 mm Ø (under space constrictions)
 DAS 150 for 150 mm Ø (recommended for most)
 DAS 200 for 200 mm Ø (high-performance models)



Reducing collar

For all extraction mode rangehoods, to reduce the size of the extraction connection. Please note, this may increase the operating sound and reduce the airthrough put performance of the rangehood.

from 200 to 150 mm Ø
 from 150 to 125 mm Ø



DKS Condensate trap

For all extraction mode rangehoods with a built-in fan

For trapping condensate, e.g. for ducting systems that pass through several storeys and where there is a difference in temperature (recommended for temperate to cold climate installations).

DKS 125 for 125 mm Ø
 DKS 150 for 150 mm Ø



DDF Roof vent kit

For all extraction mode rangehoods
 For venting through the roof. Suitable for roof inclines up to 22° and for all types of roof tile, not suitable for flat or asbestos roofing. Stainless steel casing with lead collar, ducts vapours downwards.

DDF 125/150 extraction connection 150 mm Ø
 Accessory: Reducing collar for 125 mm Ø
 DDF 200 extraction connection 200 mm Ø



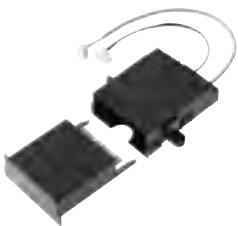
DMK 150 Wall vent kit

For all extraction mode rangehoods
 Sealed, insulated wall vent kit with non-return flap for installation in an external wall. Extraction connection for 150 mm Ø
 Colour: grey, extraction grille in stainless steel



DFG 200 Ventilation grille

For all extraction mode rangehoods
 Stainless steel ventilation grille for installation in an external wall. Extraction connection: 200 mm Ø.
 Dimensions: 310 x 310 x 80 mm (H x W x D)



Con@ctivity XKM 2000 DA

For all wall-mounted and island rangehoods with run-on function and grease filter saturation indicator.

Rangehood components for processing appliance data from communication module XKM 2100 KM, for integration in Con@ctivity enabled rangehoods. Installation must be carried out by a Miele Service Technician or suitably qualified person.
 Note: To install Con@ctivity in a DA 489-4, DA 6000 W, DA 7090 W or DA 7000 D a separate control cable kit is required.
 Dimensions: 5 x 10 x 12 cm (H x W x D)



Con@ctivity XKM 2100 KM

For all induction cooktops with DirectSelection Plus controls
 Cooktop components for transferring appliance data to communication module XKM 2000 DA, for connection to Con@ctivity enabled induction cooktops.
 Installation must be carried by a Miele Service Technician or suitably qualified person
 Dimensions: 6 x 17 x 14 cm (H x W x D)

Control cable kit for Con@ctivity XKM

For installing Con@ctivity module XKM 2000 DA in rangehoods

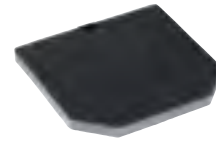
DA 6000 W
 DA 7090 W and DA 7000 D

Rangehood & ventilation accessories



DASD 150 Silencer

For additional noise reductions.
Length: 250 mm, Connects to ducting either side:
150 mm Ø, External diameter: 215 mm

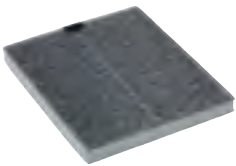


DASDV 150 Silencer connecting piece

For joining 2 x DASD 150 silencers in a row

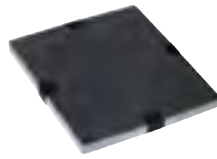
DKF 9-1 NoSmell ActiveCharcoal filter

Special odour-binding active charcoal filter for use
in recirculation mode
For wall-mounted rangehood DA 249-4
Contents: 1 filter



DKF 11-1 NoSmell ActiveCharcoal filter

Special odour-binding active charcoal filter for use
in recirculation mode
For wall-mounted rangehood DA 599x W
Contents: 1 filter



DKF 12-1 NoSmell ActiveCharcoal filter

Special odour-binding active charcoal filter for use
in recirculation mode
For use in most recirculation mode rangehoods
except for DA 18x, DA 249-4, DA 2xx0, DA 3xx0,
DA 599x W, DA 70x0 (ref. above special models for
these)
Contents: 1 filter



DKF 13-1 NoSmell ActiveCharcoal filter

Special odour-binding active charcoal filter for use
in recirculation mode
For slimline rangehoods DA 3xx0
Contents: 1 filter



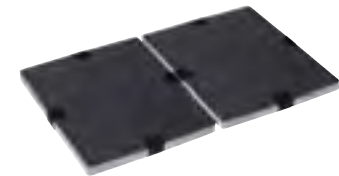
DKF 14-1 NoSmell ActiveCharcoal filter

Special odour-binding active charcoal filter for use
in recirculation mode
For integrated rangehoods DA 18x
Contents: 2 filters



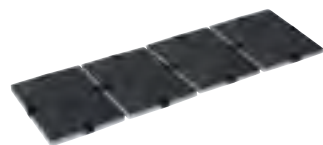
DKF 15-1 NoSmell ActiveCharcoal filter

Special odour-binding active charcoal filter for use
in recirculation mode
For use in built-in rangehoods DA 2xx0
Contents: 2 filters



DKF 16-1 NoSmell ActiveCharcoal filter

Special odour-binding active charcoal filter for use
in recirculation mode
For wall mounted rangehood DA 7090 W
Contents: 2 filters



DKF 17-1 NoSmell ActiveCharcoal filter

Special odour-binding active charcoal filter for use
in recirculation mode
For island rangehood DA 7000 W Aura
Contents: 4 filters



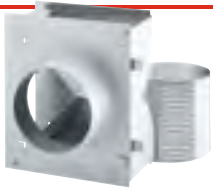
DATK Chimney Extensions

Stainless steel extension pieces for a longer
rangehood chimney cover.
Suitable for decor models DA 39x-5, DA 399-6,
42x-4, 549x, 599x, 629x, 639x
DATK 1-760 760 mm long
DATK 2-1000 1,000 mm long



DUU 151 Recirculation conversion kit

For converting slim-line and built-under
rangehoods to recirculation mode



DUW 20 Recirculation conversion kit

To convert all suitable wall-mounted recirculation-enabled decor rangehoods, except for DA 249-4, to recirculation mode.

Supplied: directional unit 150 mm Ø plus flexible aluminium ducting, 15 cm long, extendible to 60 cm long



DUW 10 Recirculation conversion kit

To convert wall mounted rangehood DA 249-4 to recirculation mode.

Supplied: directional unit 150 mm Ø plus flexible aluminium ducting, 15 cm long, extendible to 60 cm long

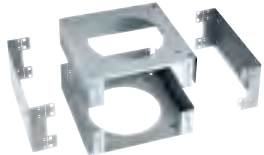


DSM 400 and DSM 406 Control modules

For rangehoods with electronic controls (not sliding switches) and use with:

- separate light switch
- potential free contact for connecting to external appliances with their own power supply (max. output 230 V AC/2 (1) A), e.g. an air intake fan

Installation: DSM 400 or DSM 406 must be connected to the rangehood by a suitably qualified person, i.e. an electrician. Please specify model, DSM 406 suitable for models ending with six, DSM 400 for all others. DA 6000 W has its special version.



DDB 150 Ceiling fixing for island rangehoods

For fitting island rangehoods in suspended ceilings.

Accommodates height adjustments of 110-300 mm between concrete and suspended ceilings.
For all island hoods with 150 mm Ø ducting.



DER 6000 Building-in frame

For installing wall-mounted rangehood DA 6000 W. For positioning and aligning the rangehood in the pre-installation phase by the kitchen cabinet maker. Included in DA 6000 W rangehood price but supplied separately.

Useful information

Miele rangehood glossary

Automatic 'Intensive' switch-off

The intensive setting offers a very high air throughput level and is intended for short-term operation, for instance when burnt food causes smoke and odours. It can be programmed to automatically reduce the power setting down to setting 3 after 10 minutes. This prevents unnecessary energy consumption.

Con@ctivity



Thanks to Miele's automatic Con@ctivity function, your rangehood is able to communicate with the cooktop: power settings on the cooktop are recorded and transmitted to the rangehood's controls. Your Miele rangehood uses this data to automatically select the correct fan setting to ensure the optimum room climate at all times. While Con@ctivity enabled rangehoods and cooktops require installation of XKM modules, Con@ctivity 2.0 enabled rangehoods come with a wireless dongle for simple plugging into a Con@ctivity enabled induction cooktop.

Design flexibility

Miele offers rangehoods with a wide range of design options and functional features – superior technology to meet all requirements. Miele rangehoods set the tone without being obtrusive. Clear form, well thought-out functions and timeless design.

Dimmable lighting



Select Miele rangehoods with the run-on function and a grease filter saturation indicator have dimmable halogen lighting. Cooktop downlighting can be dimmed to suit personal preferences by pressing and holding the light switch in. This feature allows you to set the ambience and atmosphere in the kitchen.

Halogen spotlights with hinges

Halogen lights on Miele rangehoods illuminate the cooktop with warm and even downlighting. They also offer excellent user convenience. Lamps on Miele rangehoods are easy and quick to replace: gentle pressure on the cover releases the spring-loaded stay so that the bulb can be replaced with ease. Flip the cover back up again and it simply clicks back into place.

Handcrafted in Germany

All Miele decor rangehoods are developed in Arnsberg in Germany where they are produced largely by hand. Each rangehood is unique. Each stage of the manufacturing process involves a certain amount of manual crafting, from shaping steel to welding and polishing. The commitment of employees, their expertise, creativity and desire to excel have contributed greatly to Miele's market position today.

HighPower LED spotlights

LED spotlights are not only a visual highlight. Miele HighPower LED spotlights use only 2 W of energy and therefore save electricity and help reduce the burden on the environment. Another key benefit, in contrast to conventional LED spotlights, is that the Miele HighPower LED lights produce a warm, natural light tone and uniform downlighting. Typical Miele: these spotlights are tested to the equivalent of 20 years usage. For you this means no more changing light bulbs! Miele is the first manufacturer to use HighPower LED lighting in a rangehood.

Miele's acoustic package

A rangehood needs to be efficient and at the same time as quiet as possible. Miele's acoustic package does just that and is standard on every rangehood: the motor is effectively insulated with special soundproofing mats, ensuring your rangehood works quietly.

Miele CleanCover

Miele's CleanCover is located behind the grease filters; with its smooth surfaces all sharp metal edges and electrical components are concealed to protect the user from danger. The CleanCover is also particularly easy to clean. Miele care and attention down to the very last detail for greater safety and convenience.

Multi-zone edge extraction

Edge extraction conceals the metal grease filters behind a decorative panel. Miele offers multi-zone edge extraction with several small panels rather than one larger one used in conventional edge extraction. The advantages of this system: cooking vapours are extracted both around the perimeter of the unit and in the centre.

NoSmell active charcoal filter



Miele recirculation mode rangehoods use a NoSmell active charcoal filter in addition to the grease filter. This Miele filter binds and neutralises odours effectively. If you've cooked something with a strong smell like fish one evening you won't notice the smell in the morning.

Optimised, powerful fan

Miele rangehoods are equipped with high-quality double-action radial fans. These powerful units ensure excellent air throughput at all times and optimum vapour extraction. Despite its power it is delightfully quiet in operation.

Perfect processing

Miele rangehoods feature high-quality welded and finished canopies and chimneys made from stainless steel. Just by looking at a Miele rangehood you can see the quality: precise contours, precision joints and no unsightly gaps are all typical characteristics of a Miele rangehood. Simply enjoy perfect workmanship!

Safety switch-off

For added peace of mind and safety, the cooker hood will switch off automatically after 10 operating hours. This also ensures the highest level of safety should you, for example, leave the house without switching it off.

Saturation indicator for grease and active charcoal filters

A red LED indicates when the grease or active charcoal filter is saturated. When it lights up, the filter should be cleaned or replaced as soon as possible. The length of time before this reminder appears can be set to suit the amount of cooking you do; the grease filter indicator light can be set to come on after 20, 30, 40 or 50 operating hours, and the charcoal filter replacement reminder after 120, 180 or 240 operating hours.

Remote operation

The Miele remote control feature offers a particularly high level of user convenience. Apart from operating the fan or lighting, the lights can be dimmed and the fan run-on activated. Remote control is a standard feature on the DA 2900 cooker hood.

Run-on function

Automatic fan run-on for thorough extraction of steam and odours which are still in the air after cooking. The fan can be set to switch off automatically after a 5 or 15 minute run-on period.

Single pane safety glass

Miele cooker hoods in a combination of glass and stainless steel feature single pane safety glass. For safety reasons, this glass shatters into many small, blunt pieces. Miele ensures a high level of safety even in the event of something unforeseeable happening.

Stainless steel grease filters

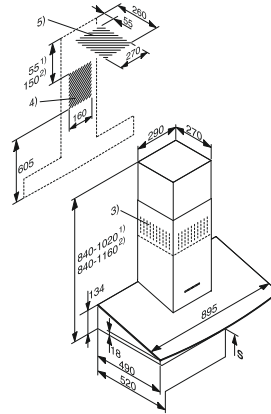
Miele cooker hoods feature a 10-ply stainless-steel filter. The outer layer and frame are made from high-grade stainless steel. This material does not discolour when washed in a dishwasher. Consequently, Miele grease filters retain their appearance over time.

Installation drawings

Rangehoods

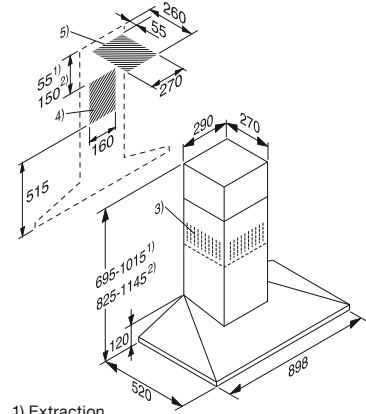
Installation drawings below should be used as a planning guide only and must be read in conjunction with the more comprehensive operating and/or installation instructions supplied with each product and which can be accessed on-line in advance for your planning purposes via www.miele.com.au or www.miele.co.nz.

DA 5996 W SCREEN



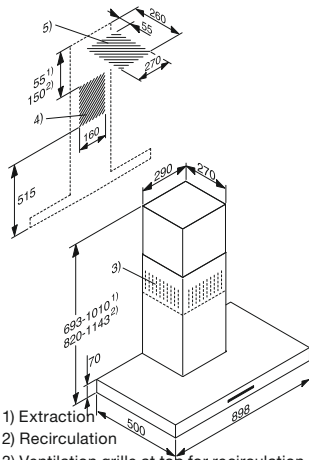
- 1) Extraction
- 2) Recirculation
- 3) Ventilation grille at top for recirculation
- 4+5) Installation cut-out (5 not requ'd for recirculation)
- S: Safety distance between hob and cooker hood

DA 399-6 CLASSIC



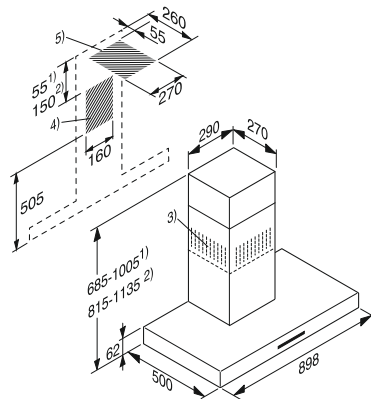
- 1) Extraction
- 2) Recirculation
- 3) Ventilation grille at top for recirculation
- 4+5) Installation cut-out (5 not requ'd for recirculation)

DA 6596 W CANTO



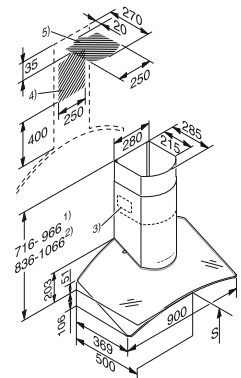
- 1) Extraction
- 2) Recirculation
- 3) Ventilation grille at top for recirculation
- 4+5) Installation cut-out (5 not requ'd for recirculation)

DA 419-6 PURISTIC



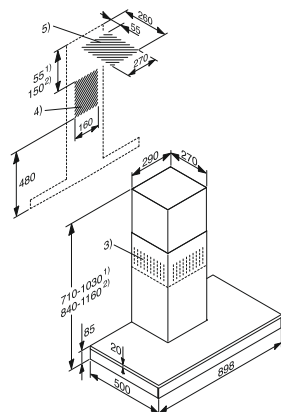
- 1) Extraction
- 2) Recirculation
- 3) Ventilation grille at top for recirculation
- 4+5) Cut-out (5 not required for recirculation)

DA 249-4 SHINE



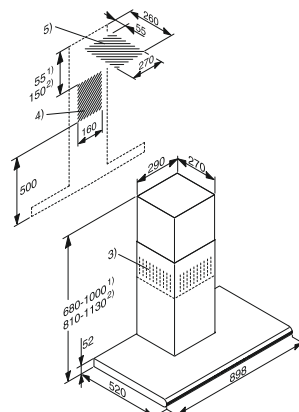
- 1) Extraction
- 2) Recirculation
- 3) Ventilation grille positioned at top for recirculation
- 4+5) Installation cut-out (5 not required for recirculation mode)
- S: Safety distance between hob and cooker hood

DA 6690 W



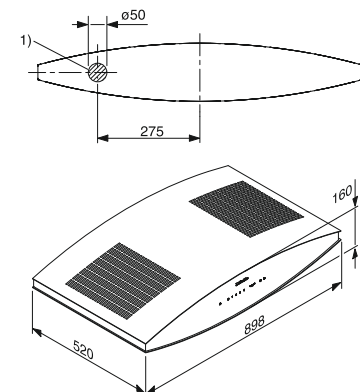
- 1) Extraction
- 2) Recirculation
- 3) Ventilation grille at top for recirculation
- 4+5) Installation cut-out (5 not requ'd for recirculation)

DA 6296 W LUMEN



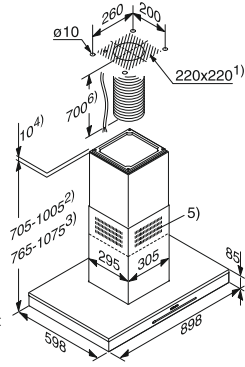
- 1) Extraction
- 2) Recirculation
- 3) Ventilation grille at top for recirculation
- 4+5) Installation cut-out (5 not requ'd for recirculation)

DA 7090 W AURA



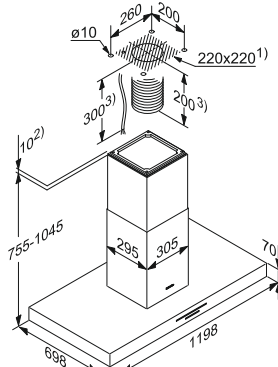
- 1) Cut-out for mains cable. A distance of at least 300 mm must be maintained between the top of the appliance and the ceiling or any furniture units installed above the appliance.

DA 6690 D



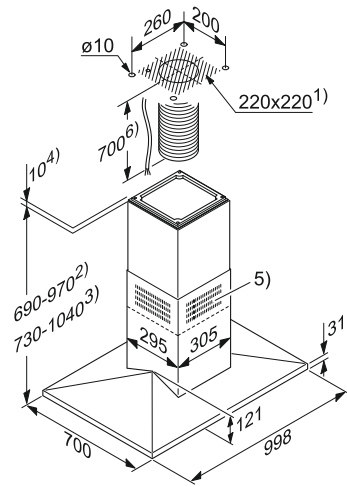
- 1) Installation cut-out
- 2) Extraction
- 3) Recirculation
- 4) Installation option with spacer frame
- 5) Ventilation grille at the top for recirculation
- 6) A mains cable and, for extraction mode, flexible exhaust ducting is required from the ceiling connection to the connection on the cooker hood.

DA 424 V-6 VARIA



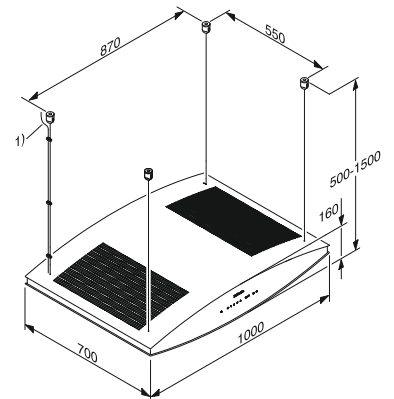
- 1) Installation area/site
- 2) Installation alternatively with spacer frame
- 3) A supply lead, and for vented mode flexible vent ducting, must be pre-fitted for the connection in the ceiling to the connection of the cooker hood.

DA 390-6



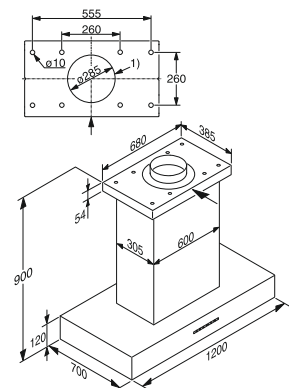
- 1) Installation area/site
- 2) Vented
- 3) Recirculation
- 4) Installation alternatively with spacer frame
- 5) Ventilation grille positioned at the top for recirculation
- 6) A supply lead, and for vented mode flexible vent ducting, must be pre-fitted for the connection in the ceiling to the connection of the cooker hood.

DA 7000 D Aura



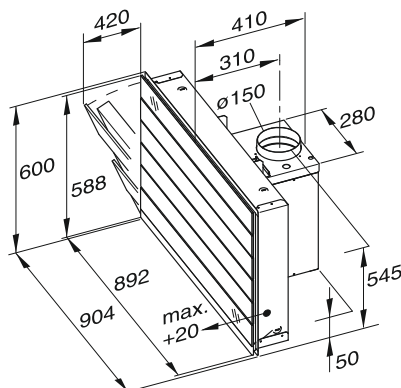
- 1) Mains connection cable. A distance of at least 300 mm must be maintained between the top of the appliance and the ceiling or any furniture units installed above the appliance.

DA 5320 D CANTO XL

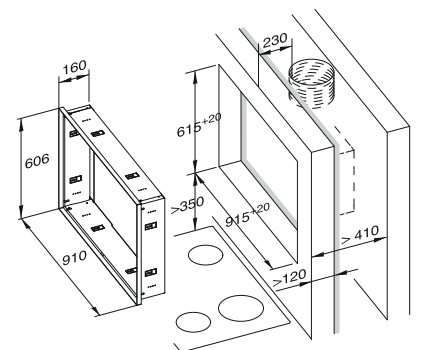


- 1) Cut-out for mains connection cable

DA 6000 W CABRIO

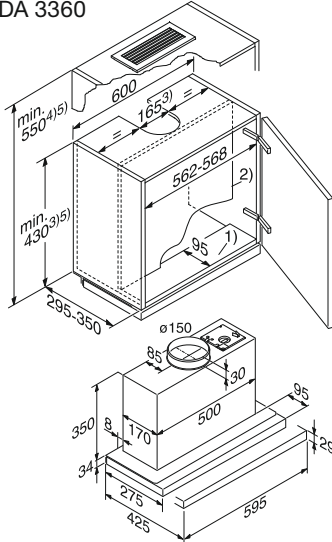


DER 6000 for DA 6000 W CABRIO



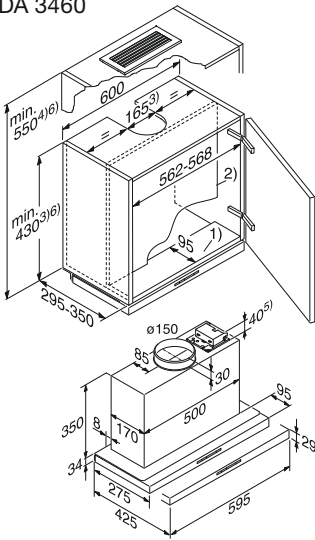
Installation drawings

DA 3360



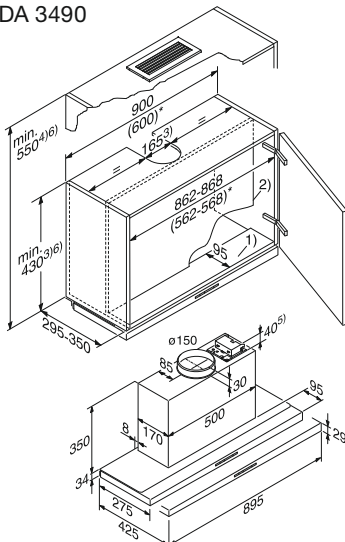
- 1) The front section of the wall housing unit must be fitted with a shelf to the depth of the partition wall. If the appliance is fitted further back, e.g. to accommodate a front panel, then the shelf depth should be correspondingly deeper.
- 2) The partition wall in the wall unit must be removable.
- 3) In extraction mode: when measuring for the height of the wall housing unit and the cut-out, account must be taken of any accessories fitted, e.g. a silencer.
- 4) Recirculation mode requires installation kit DUU 151.
- 5) Installation with drop-down frame DAR 3000: account must be taken of differing cupboard heights.

DA 3460



- 1) The front section of the wall housing unit must be fitted with a shelf to the depth of the partition wall. If the appliance is fitted further back, e.g. to accommodate a front panel, then the shelf depth should be correspondingly deeper.
- 2) The partition wall in the wall unit must be removable.
- 3) In extraction mode: when measuring for the height of the wall housing unit and the cut-out, account must be taken of any accessories fitted, e.g. silencer, DSM module.
- 4) Recirculation mode requires installation kit DUU 151.
- 5) Installation with drop-down frame DAR 3000: account must be taken of differing cupboard heights.

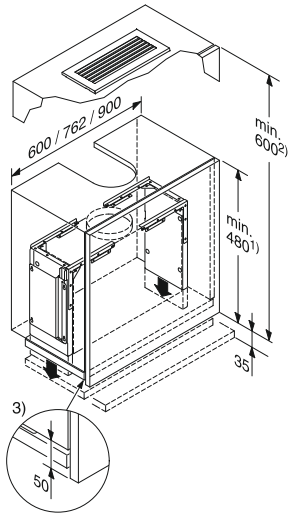
DA 3490



- 1) The front section of the wall housing unit must be fitted with a shelf to the depth of the partition wall. If the appliance is fitted further back, e.g. to accommodate a front panel, then the shelf depth should be correspondingly deeper.
- 2) The partition wall in the wall unit must be removable.
- 3) In extraction mode: when measuring for the height of the wall housing unit and the cut-out, account must be taken of any accessories fitted, e.g. silencer, DSM module.
- 4) Recirculation mode requires installation kit DUU 151.
- 5) Installation with drop-down frame DAR 3000: account must be taken of differing cupboard heights.

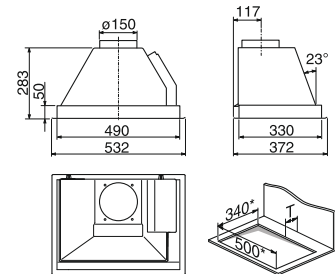
Installation drawings

DAR 3000 drop-down frame



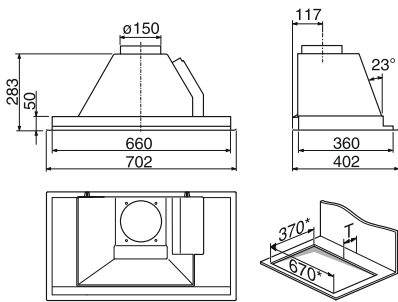
1. Vented
2. Recirculation with conversion kit DUU 151
3. Cabinet korpus has to be shorten 50 mm compared to the cabinet door. For all other cabinets, details in DA 3360, 3460, and 3490 dimensioned drawings apply. A housing unit base is not required. Installing a DA 3490 in a 60 cm wide housing unit is not possible with the drop-down frame. Safe distance to cook top has to be kept by deepen rangehoods.

DA 2050



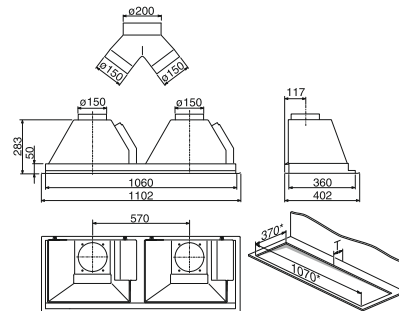
* Cut-out dimensions
A depth T of at least 25 mm must be provided at the back of the building-in niche.

DA 2270



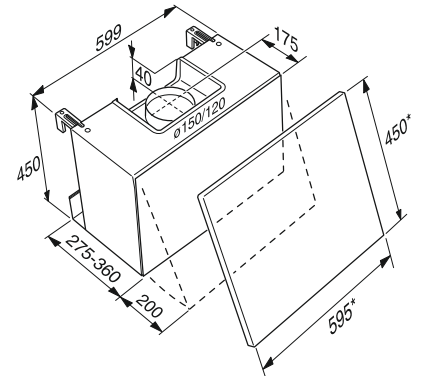
* Cut-out dimensions
A depth T of at least 25 mm must be provided at the back of the building-in niche.

DA 2210



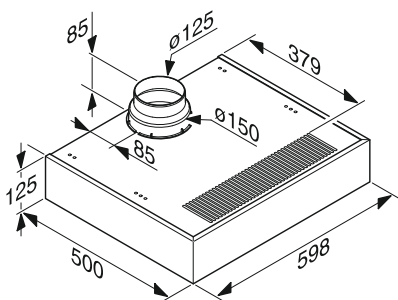
* Cut-out dimensions. A depth T of at least 25 mm must be provided at the back of the building-in niche.

DA 186



*Furniture panel dimensions

DA 1160



Miele Australia Pty. Ltd.

ACN 005 635 398
ABN 96 005 635 398

Miele Australia Pty. Ltd.

Head Office
1 Gilbert Park Drive
Knoxfield VIC 3180

Telephone 1300 4 MIELE (1300 464 353)

Miele Center Knoxfield

1 Gilbert Park Drive
Knoxfield VIC 3180

Miele Center South Melbourne

208-210 Coventry Street
South Melbourne VIC 3205

Miele Center and Office Sydney

3 Skyline Place
Frenchs Forest NSW 2086

Miele Center and Office Brisbane

39 Harvey Street North
Eagle Farm QLD 4009

Miele Center and Office Adelaide

83 Sir Donald Bradman Drive
Hilton SA 5033

Miele Center and Office Perth

205-207 Stirling Highway
Claremont WA 6010

www.miele.com.au

Miele New Zealand Limited

Miele Center and Head Office

8 College Hill
Freemans Bay, Auckland, 1011
Telephone 0800 264 353

www.miele.co.nz

Miele Global Headquarters

Miele & Cie. KG

Carl-Miele-Strasse 29
D-33332 Gütersloh
Federal Republic of Germany

Foreign Sales Companies

(A)	Miele Ges.m.b.H., Wals/Salzburg
(AUS)	Miele Australia Pty. Ltd., Melbourne
(B)	N.V. Miele S.A., Mollem
(CDN)	Miele Limited, Vaughan/Ontario
(CH)	Miele AG, Spreitenbach
(CL)	Miele Ltda., Santiago de Chile
(CN)	Miele Shanghai Trading Ltd., Shanghai
(CZ)	Miele spol.s.r.o., Brno
(D)	Miele & Cie. KG, Gütersloh
(DK)	Miele A/S, Glostrup/Copenhagen
(E)	Miele S.A., Alcobendas/Madrid
(EST)	Miele OÜ, Tallinn
(F)	Miele S.A.S., Le Blanc-Mesnil/Paris
(FIN)	Miele Oy, Vantaa/Helsinki
(GB)	Miele Company Ltd., Abingdon
(GR)	Miele Hellas E.P.E., Psychiko-Athens
(H)	Miele Kft., Budapest
(HK)	Miele Hong Kong Ltd., Hong Kong
(HR)	Miele d.o.o., Zagreb
(I)	Miele Italia S.R.L., Eppan
(IND)	Miele India Pvt Ltd., New Delhi
(IRL)	Miele Ireland Ltd., Dublin
(J)	Miele Japan Corp., Shibuya-ku/Tokyo
(KZ)	Miele Liability Partnership, Almaty
(L)	Miele s.à.r.l., Luxembourg
(LT)	Miele Appliances UAB, Vilnius
(LV)	Miele SIA, Riga
(MAL)	Miele Sdn Bhd, Kuala Lumpur
(MEX)	Miele S.A. de C.V., Mexico City
(N)	Miele AS, Rud/Oslo
(NL)	Miele Nederland B.V., Vianen
(NZ)	Miele New Zealand Ltd., Auckland
(P)	Miele Portuguesa Lda., Carnaxide/Lisbon
(PL)	Miele Sp. z o. o., Warsaw
(RO)	Miele Appliances S.R.L., Otopeni
(ROK)	Miele Korea Ltd., Seoul
(RU)	000 Miele CIS, Moscow
(S)	Miele AB, Solna/Stockholm
(SGP)	Miele Pte. Ltd., Singapore
(SK)	Miele spol.s.r.o., Bratislava
(SLO)	Miele d.o.o., Ljubljana
(SRB)	Miele d.o.o., Belgrad
(TR)	Miele Elektrikli Ltd. Sti., Levent/Istanbul
(UA)	Miele LLC, Kiev
(UAE)	Miele Appliances Ltd., Dubai
(USA)	Miele, Inc., Princeton/New Jersey
(ZA)	Miele (PTY) Ltd., Bryanston/Johannesburg

